

Vacuum pumps Classic

H40



- ▶ Higher vacuum levels to 99.8 -kPa
- ▶ Use with practically zero leakage present and non-porous applications
- ▶ Available with connection plate in aluminium (AD) and composite PPS (D)

Supplied with a push-in connector for compressed air, through-flow silencer and mounting brackets (see Accessories).

Technical data

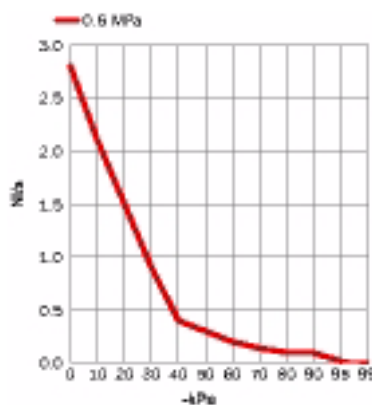
Description	Unit	Value
Feed pressure, max.	MPa	0.7
Noise level	dB(A)	60–65
Temperature range	°C	-20–80
Weight	g	530–620
Material		Al, PPS, SS, NBR

Vacuum flow

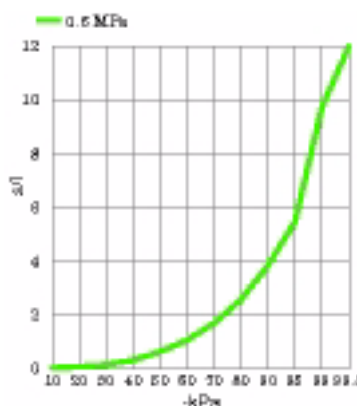
Feed pressure MPa	Air consumption NI/s	Vacuum flow (NI/s) at different vacuum levels (-kPa)												Max vacuum -kPa
		0	10	20	30	40	50	60	70	80	90	95	99	
0.60	2.6	2.8	2.1	1.5	0.90	0.40	0.30	0.20	0.14	0.10	0.095	0.019	0.005	99.8

Evacuation time

Feed pressure MPa	Air consumption NI/s	Evacuation time (s/l) to reach different vacuum levels (-kPa)												Max vacuum -kPa
		10	20	30	40	50	60	70	80	90	95	99	99.5	
0.60	2.6	0.032	0.075	0.15	0.32	0.64	1.1	1.7	2.6	3.9	5.5	9.8	12.0	99.8



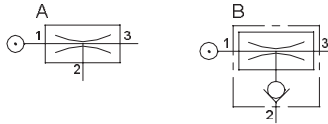
Vacuum flow



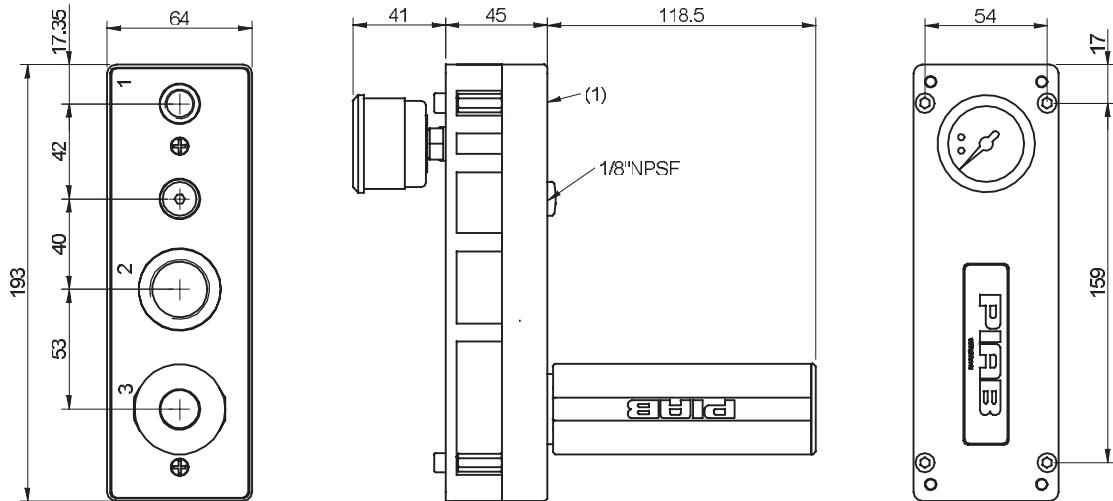
Evacuation time

Ordering information

	Description	Art. No.
A	Vacuum pump CLASSIC H40, conn. AD, NBR sealings	0102129
A	Vacuum pump CLASSIC H40, connection plate composite PPS(D), NBR sealings	0100192
A	Vacuum pump CLASSIC H40, connection plate composite PPS(D), Viton® sealings	0100194
B	Vacuum pump CLASSIC H40, conn. AD, NBR sealings, non-return valve	0102130
B	Vacuum pump CLASSIC H40, connection plate composite PPS(D), NBR sealings, non-return valve	0100195
B	Vacuum pump CLASSIC H40, connection plate composite PPS(D), Viton® sealings, non-return valve	0100197



	1	2	3
D	7/8"NPSF	3/4"	3/4"
AD	G1/4"	G3/4"	G3/4"
E	7/4"NPT	3/4"NPT	3/4"NPT



Ordering information, accessories

Description	Art. No.
Sealing kit CLASSIC, NBR	3201069
Sealing kit CLASSIC, Viton®	3201069V
Sealing kit CLASSIC, EPDM	3201069E
ES-kit CLASSIC, G1/8"-G1/4"	0103109

Sealing kits include flap valves, gaskets and compressed-air filters.